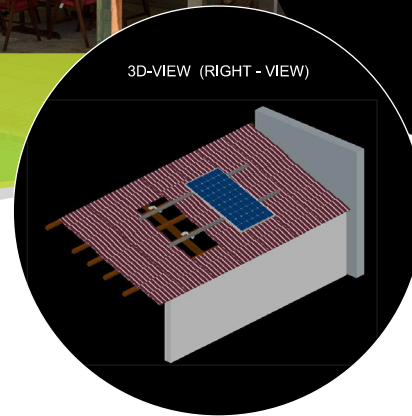
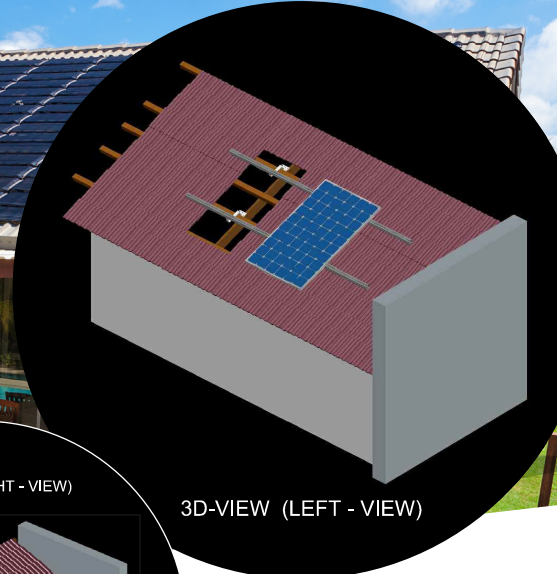
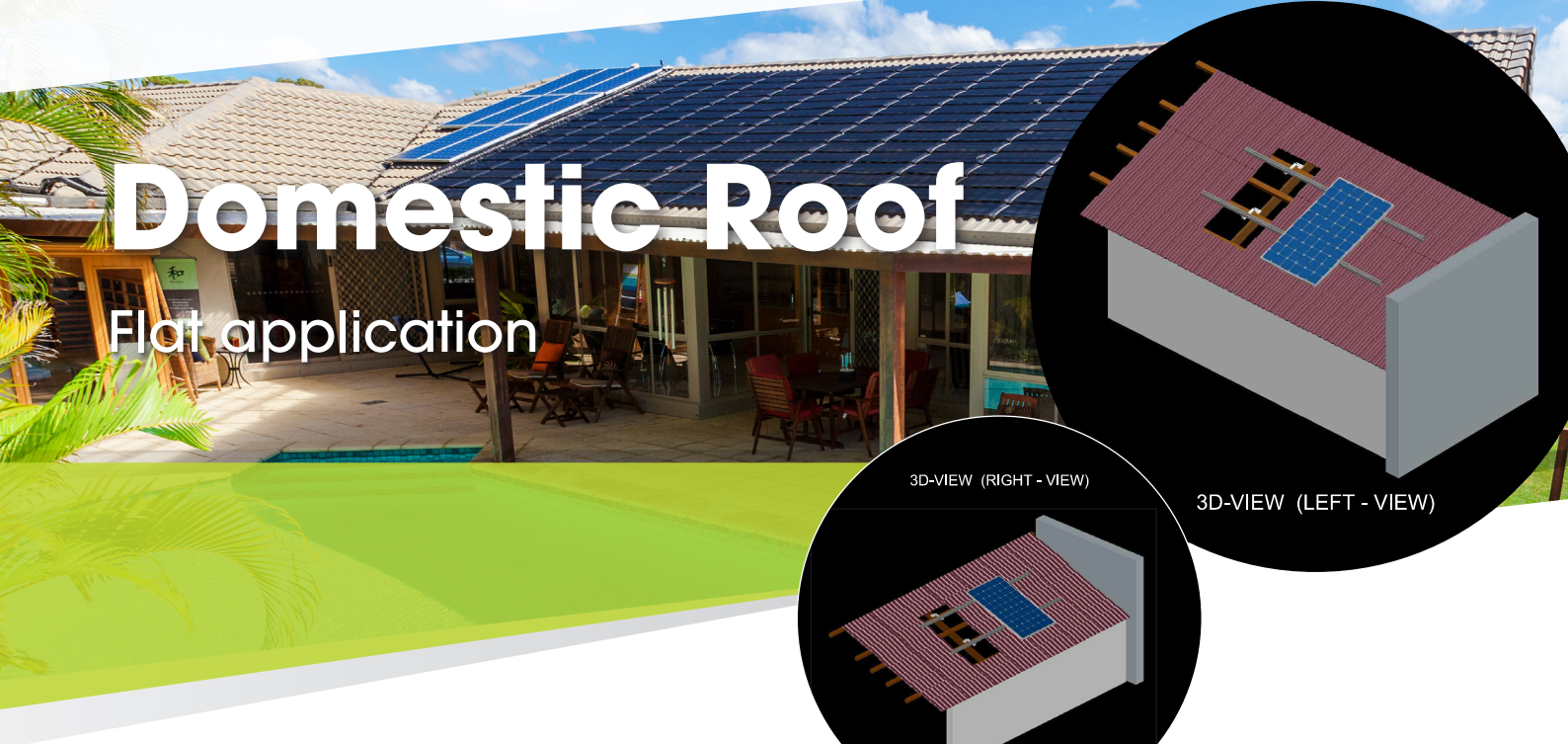
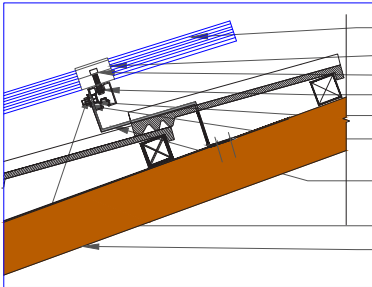


Domestic Roof

Flat application



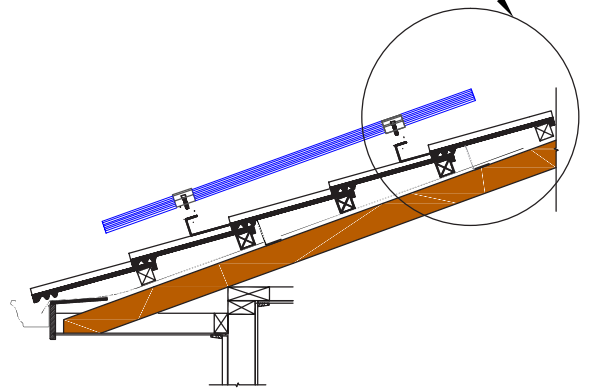
Detail A



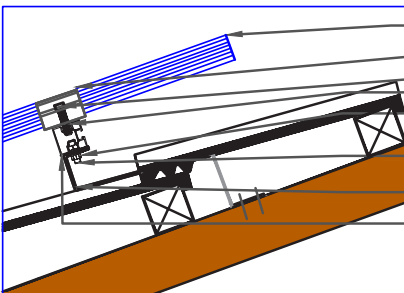
- PV-SOLAR PANELS
- Z-BRACKET
- M8 CAP SCREW
- SQUARE NUT
- M8 X 20MM
- HEX NUT WITH FLAT & SPRING WASHER
- ADJUSTABLE DOMESTIC TILE BRACKET
- 40 X 40 ALUM. PROFILE
- RAFTER

Domestic tile roof bracket supporting 40x40 Alum. with top and side fixing.

Detail A



Detail B

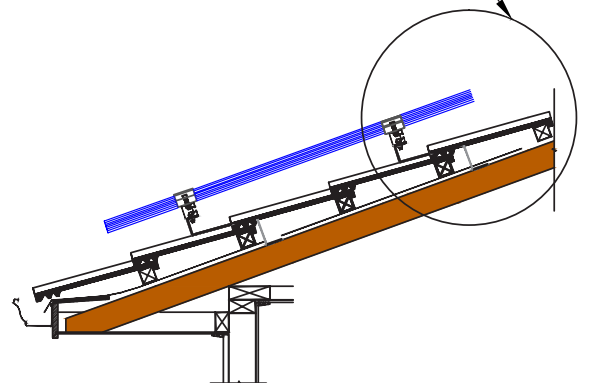


- PV-SOLAR PANELS
- Z-BRACKET
- M8 CAP SCREW
- SQUARE NUT
- HEX NUT WITH FLAT & SPRING WASHER
- M8 X 20MM BOLT
- DOMESTIC TILE BRACKET
- 40 X 40 ALUM. PROFILE

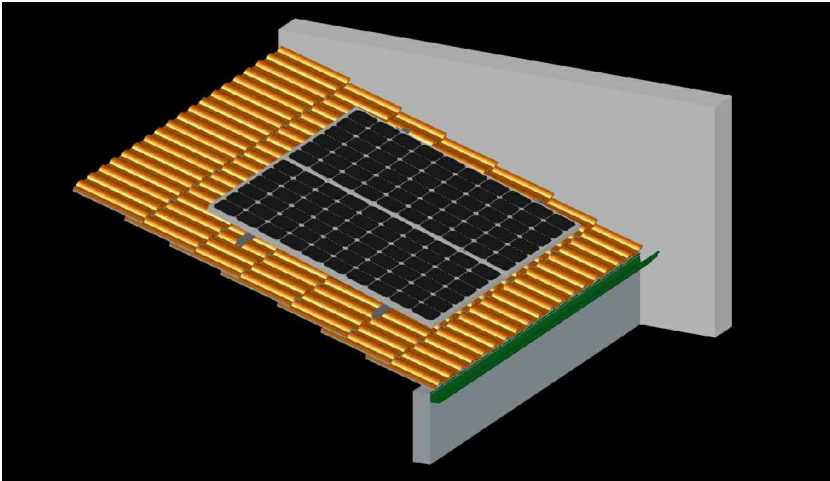
Domestic tile roof bracket supporting 40x40 Alum. with top and bottom fixing.

Standard kits supplied are top and side fixing. Top and bottom fixing is available on request only.

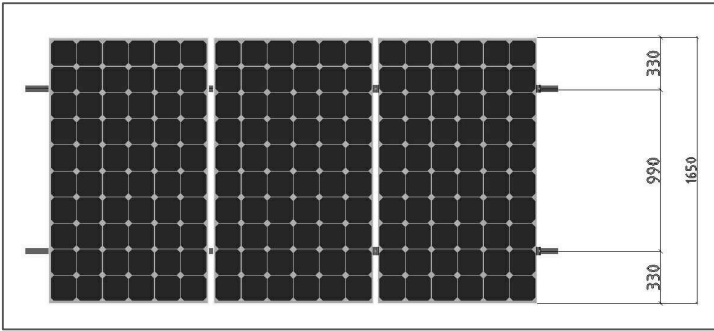
Detail B



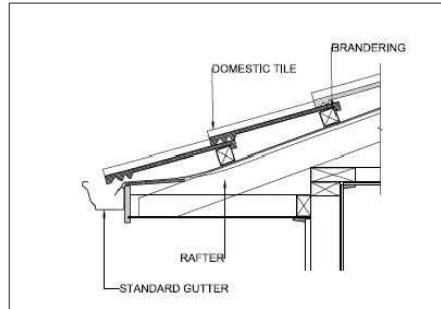
3D-conceptual structure



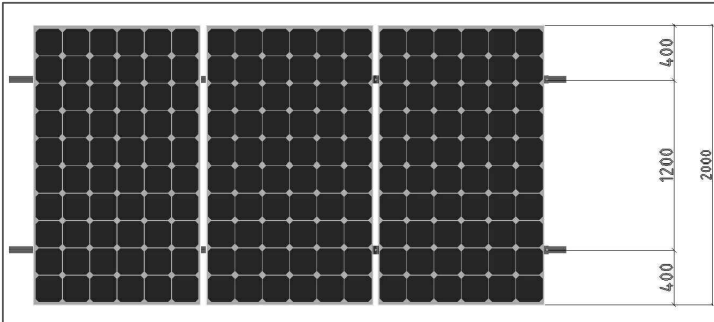
Portrait panel orientation 250W



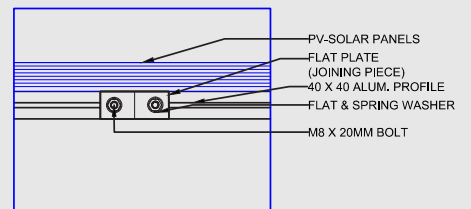
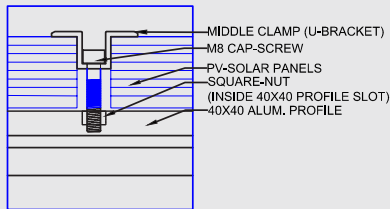
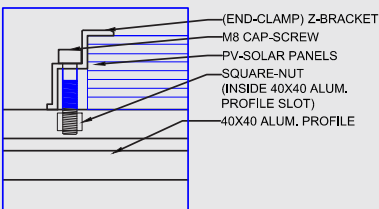
Internal Side-View



Portrait panel orientation 300W



Adjustment Domestic Bracket



End clamp (Z-Bracket) holding panels and connecting to Aluminum profile.

Middle clamp (U-Bracket) holding panels and connecting to profile.

Two 40x40 Aluminium Profile acting as one joined together by a flat plate.

Not included with kits as standard, can be ordered on request.